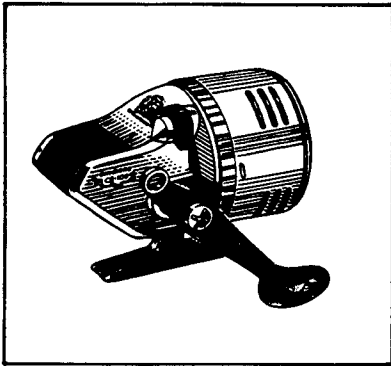


SHIMANO®

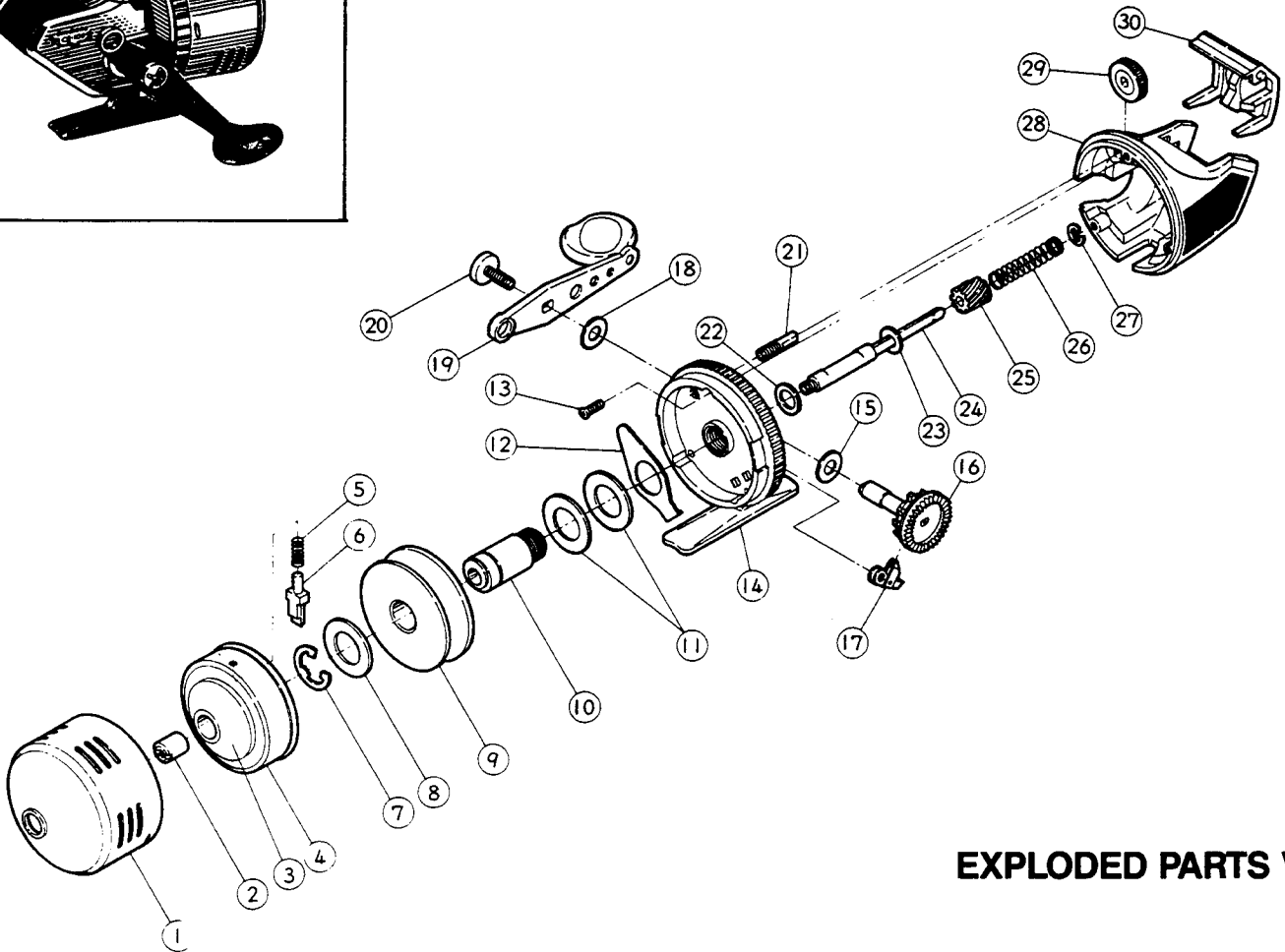
1987 REPAIR MANUAL

Shimano American Corporation, One Shimano Dr.
Irvine, CA 92718



TO ORDER:

This reel belongs to the "CB" series.
Please order by using the abbreviation
"CB" and the part number.



EXPLODED PARTS VI

SPIN CAST REEL

PARTS LIST

PART # DESCRIPTION

- 1. Cover
- 2. Rotor Nut
- 3. Line Cushion
- 4. Rotor
- 5. Pin Retractor Spring
- 6. Pickup Pin
- 7. Spool Lock
- 8. Top Drag Washer
- 9. Spool
- 10. Rotor Shaft Bushing
- 11. Base Drag Washer

PART # DESCRIPTION

- 12. Drag Pressure Plate
- 13. Housing Screw
- 14. Frame
- 15. Shim
- 16. Drive Gear
- 17. Anti Reverse Dog
- 18. Thrust Washer
- 19. Handle
- 20. Handle Screw
- 21. Drag Screw
- 22. Pinion Shim

PART # DESCRIPTION

- 23. Pinion Thrust Washer
- 24. Rotor Shaft
- 25. Pinion Gear
- 26. Rotor Retractor Spring
- 27. "C" Lock
- 28. Housing
- 29. Drag Wheel
- 30. Release Trigger

Prices and specifications subject to change without notice.

JUNE